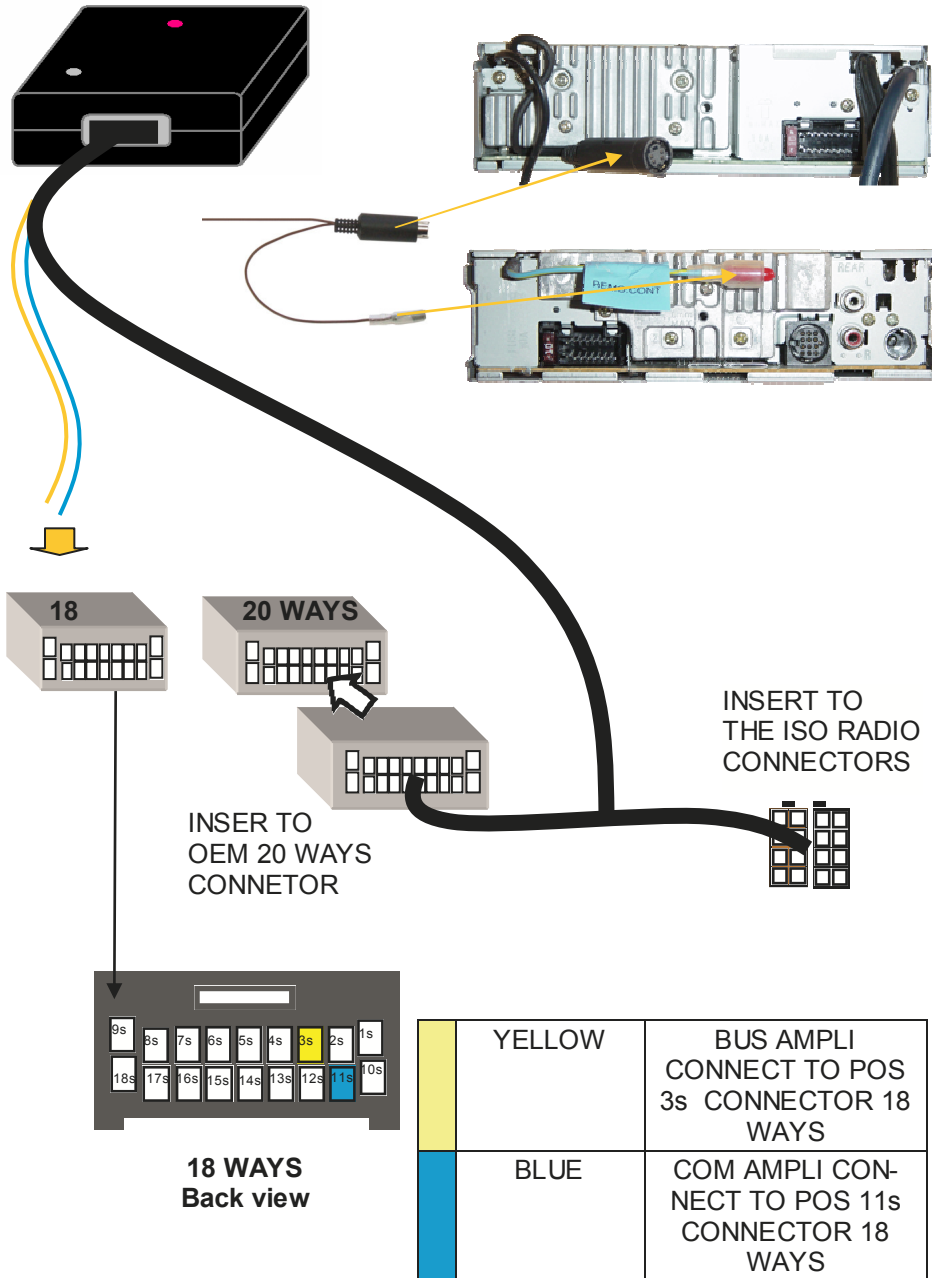


CONNECTIONS



COMMANDS HANDLED

At default the assigned functions are handled as follows:



KEY	FUNCTIONS	
1	VOL+	
2	VOL —	
3	SEEK +	TRACK UP
4	SEEK —	TRACK DOWN
5	REPLY A CALL	
6	CLOSE A CALL	
7	SOURCE / CLOSE A CALL	