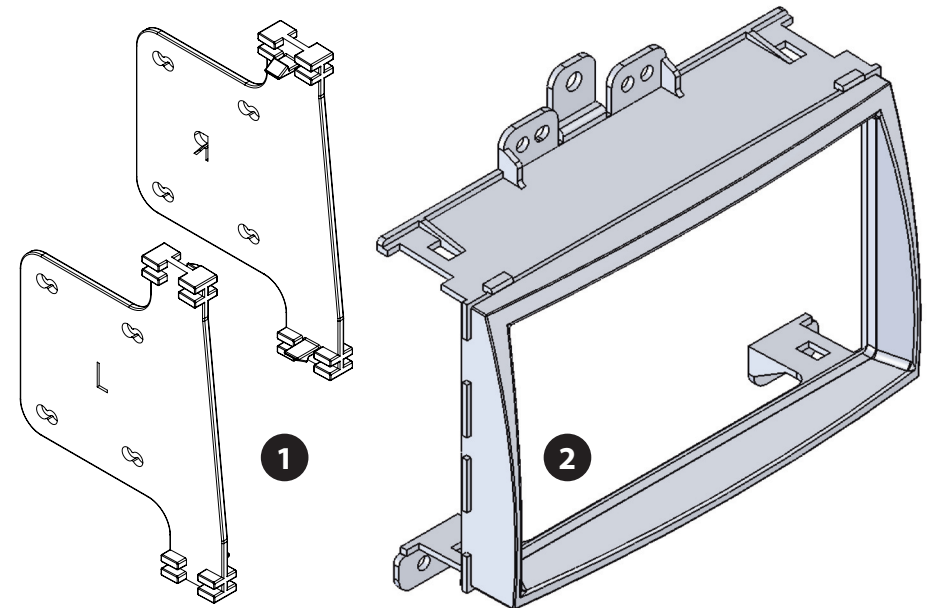


## • Hyundai i20

Compatible with these Kenwood double DIN devices

### Kenwood Navigation

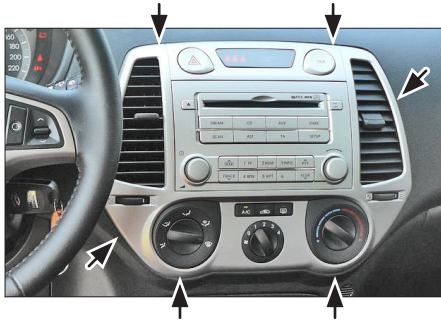


Double DIN Kit contents

- (1) Side Panels (left / right)
- (2) Facia Plate

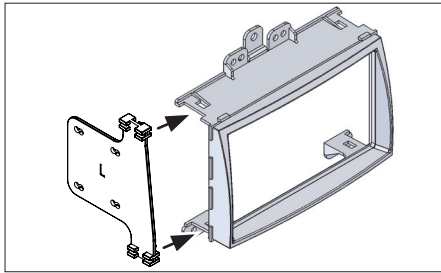
# Installation Manual Double DIN Kit

# Hyundai i20



- 1. Unclip the Hyundai i20 OEM panel and remove it.

Remove the OEM-Radio.



- 2. Mount the the side panels to the fascia plate:

The panel marked with a „L“ is for the left side, the panel marked with a „R“ is for the right side.



- 3. Fix the Double DIN Navigation with the Mounting Frame. Connect all required circuit points and place the Double DIN Navigation with the mounting frame on the dashboard.

- 4. Place the Hyundai OEM panel on the dash board

---

---

---

---

---

---

---

---

---

---

---

---

---

---

---

---

---

---

---

---

---

---

---

---

---