



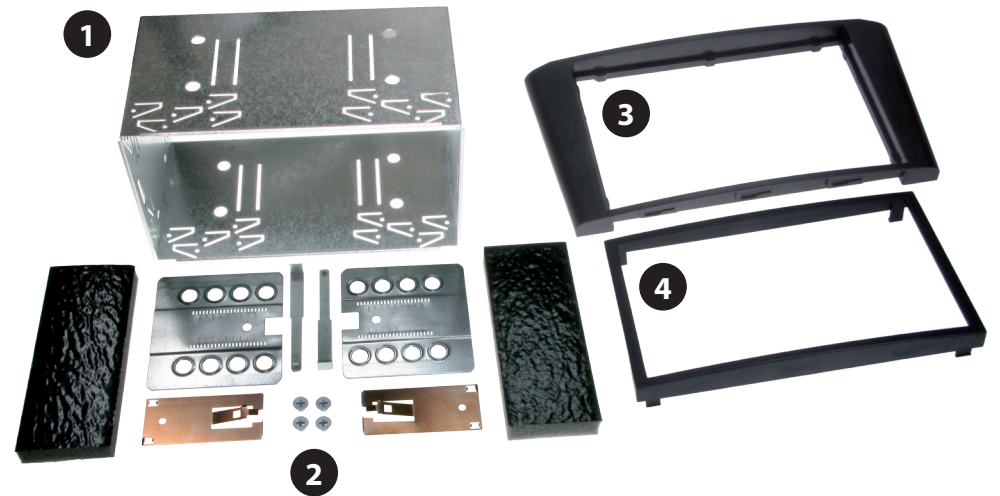
Installation Manual
Double DIN Kit

Standard: CAW 2300-06
Rubber-Touch: CAW 2300-06-RT

• **Toyota Avensis (T25) 2003->**

Compatible with these Kenwood double DIN devices

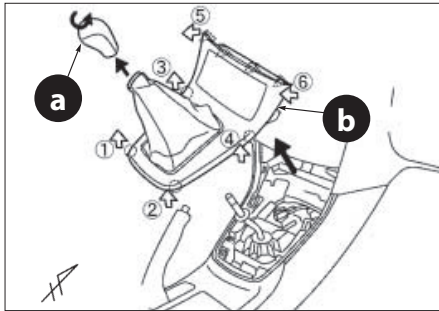
Kenwood Navigation



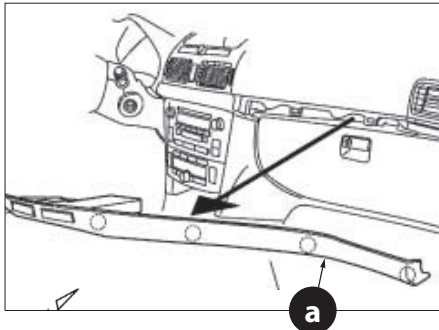
Double DIN Set contents

- (1) Metal Frame
- (2) Installation Kit
- (3) Mounting frame
- (4) Facia Plate

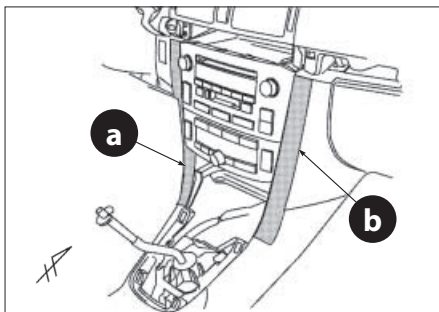
Installation Manual Double DIN Kit CAW 2300-03 / CAW 2300-03-RT



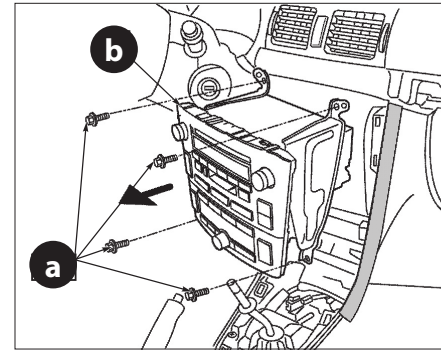
1. Remove the shift knob (a) and shift cover panel (b).



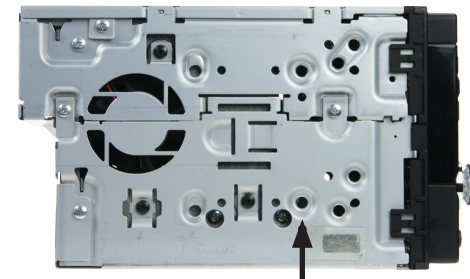
2. Remove dashboard panel (a)



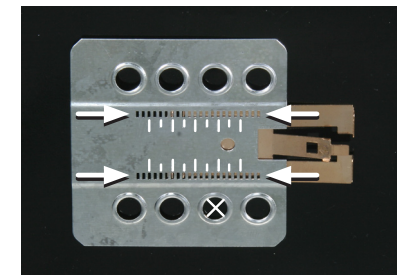
3. Remove side panels left (a) and right (b).



4. Remove the 4 screws (a)
Remove the OEM head unit (b)



Mount the metal brackets with the double DIN head unit



The position of the copper coloured holder can be adjusted to your needs for perfect fit. (see sample)

5. Place the facia plate on the dashboard. Push the metal frame into the facia plate. Connect all required circuit points and push the double DIN head unit in the metal frame until it snaps in. Place the trim frame. Reinstall everything in reverse order to finish installation.

*All installation work must be performed by a qualified professional installer only.
The manufacturer / dealer is not liable for any kind of incidental or indirect damages.*